

Neon & LED Indicator Lights Sealed to IP52 and IP54

Colours and voltages:

Neon	Red, Amber, Green 120 or 230Vac 0.5W - please specify (Red base)
LED	Red, Amber, Green 28Vac/dc 1W (Green base)

Neon versions feature integral current limiting & ghost lighting resistors.
LED versions have rectifier diodes & resistors for direct connection to 28Vac/dc.

To order

Select a number from the "type" column, then state:
Lens colour, voltage and whether neon or LED. All versions have recessed screw terminals. IP52 is standard. A panel sealing washer is available for IP54.

- ▶ IP52 and IP54 sealing
- ▶ Three bezel sizes: 18.0, 20.5 and 30.0 diameter
- ▶ Neon or LED indicator
- ▶ Black and satin chrome bezel or without bezel
- ▶ Recessed screw terminals



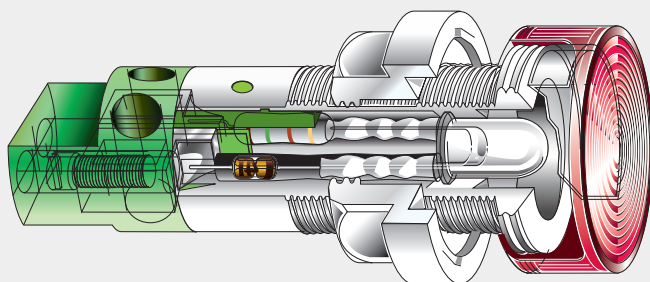
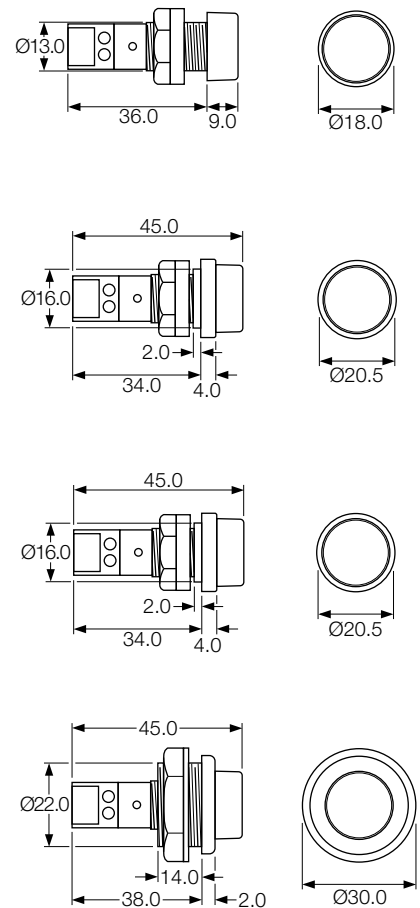
Approval shown for neon versions only



RoHS compliant

TERM	TYPE	PANEL & °C
Recessed Screw 	3130 No bezel 	 T120 neon T50 LED
Recessed Screw 	3160 Black bezel 	 T120 neon T50 LED
Recessed Screw 	3161 Satin chrome style bezel 	 T55 neon T50 LED
Recessed Screw 	3221 Large black bezel 	 T120 neon T50 LED

DIMENSIONS (mm)



Select the version most suitable for your application from the 4 types shown.
Or call sales for availability to your special requirements.