

# Safety Cut-out Switches 16A 250Vac



- ▶ Safety cut-out switches
- ▶ Ratings up to 16A, 250V ac
- ▶ Snap action switches
- ▶ NC contacts
- ▶ Pendulum or lever tilt operation

Safety requirements for Portable Heaters can be met by the fitting of a safety cut-out switch. The heater will then turn off if overturned.



## Approvals and specifications



**C0320AA**  
15A 125/250Vac 1E4



15A 125/250Vac UL file no. E91274  
15A 1/2HP, 125/250Vac CSA file no. LR85259-2



**16(4)A 250Vac 5E4 T85**

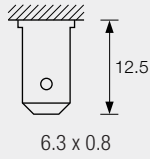

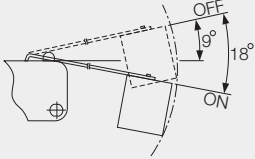
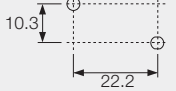
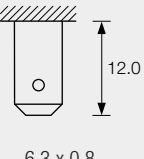
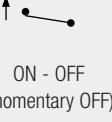
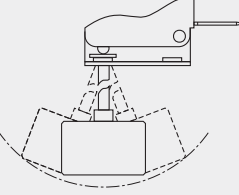
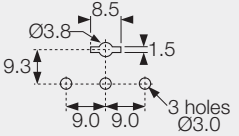


16A 125/250Vac 3/4hp T85 50E3 UL file no. E45221  
125V 1/2 HP, 250V 3/4 HP, 0.4A 125Vdc, 0.2A 250Vdc

μ contact gap.

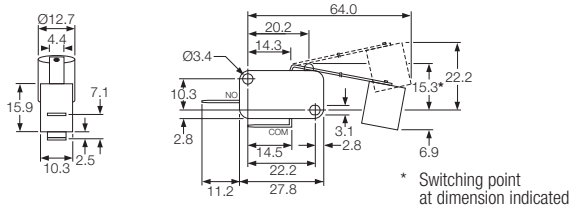
**C0320AA - - -**

TERMINAL FUNCTION ACTUATOR MOUNTING

| ORDER CODE     | TERMINAL  | FUNCTION   | ACTUATOR   | MOUNTING   |
|----------------|---|--|--|--|
| <b>C0320AA</b> |  | <br>ON - OFF<br>(momentary OFF) |  | <br>2 off 3.4mm mounting holes<br>or M3 screw holes |
| <b>C0320BB</b> |  | <br>ON - OFF<br>(momentary OFF) |  |   |

## Dimensions (mm)

### C0320AA



### C0320BB

