



- Digital temperature control
- Large 14mm LED display
- Front panel rated IP65
- Industry standard temperature sensors
- Fully programmable features
- Password protection
- Compressor protection delays
- On/off temperature control
- Selectable heating or cooling function
- 10A 250Vac switching relay contact
- Programmable upper / lower limit alarm
- Bezel size DIN 77mm x 35mm

▶ APPLICATIONS

- Temperature control for refrigeration
- Temperature monitoring
- Close temperature limit control for stability
- Process control applications
- Compressor preservation

▶ OPERATION

The controller is designed to measure and control temperature, and can be used in heating or cooling applications. The controller switches the heater/compressor on/off to efficiently maintain the desired setpoint temperature within the programmable limits. Configurable delays help to maximise compressor life. In case of a temperature probe defect, the controller can be configured to continue on/off compressor cycles as a backup control system.

The front panel keyboard allows password protected access to the following programmable parameters:

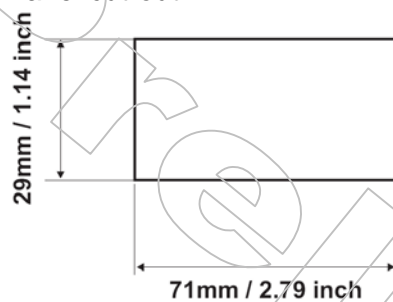
- Setpoint value (target temperature)
- Hysteresis (threshold)
- Minimum/maximum limits
- Temperature offset
- Heating/cooling selection
- Switch-on delay after power-on
- Compressor stop/start time delay
- Compressor start/start time delay
- Temperature probe defect detection
- Backup compressor algorithm during probe defect

► SPECIFICATIONS

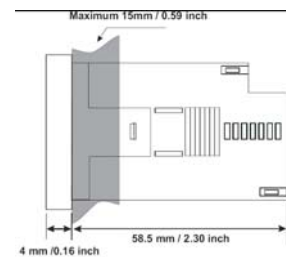
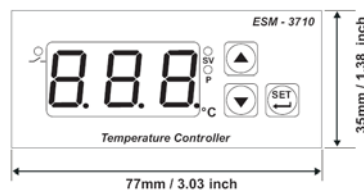
Dimensions	Bezel 77.0mm x 35.0mm Panel cut-out 71mm x 29mm
Panel thickness	0 - 15mm
Protection class	IP65 Front panel
Flame retardancy	UL94V2
Operating voltage	230V \pm 15% 50/60Hz
Operating temperature	0°C to +50°C
Compressor relay	Rated 10A 250Vac
Temperature sensor	PTC Thermistor, PT100 RTD, Thermocouple J & K
Measuring range	-50°C to +150°C
Temperature accuracy	\pm 1% of full scale

► BODY

Panel cut-out



► DIMENSIONS



► PART NUMBERS

ESM 3710

Arcoelectric

Arcoelectric Ltd.,
Central Avenue,
West Molesey, Surrey
England KT8 2RF

Tel: +44 (0)20 8979 3232
Fax: +44 (0)20 8979 2565

www.arcoelectric.co.uk

Arcoelectric Ltd is part of the Elektron PLC group of companies

Revision 1 02/2006

E&OE

Copyright © 2006 Arcoelectric